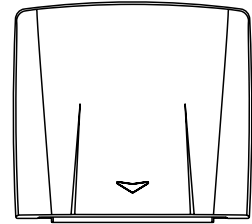


# A292 INSTALLATION INSTRUCTIONS

## Model

SMARTDRI

**A292 Wide Jet Hand Dryer**  
**Single Wide Blade Hand Dryer with Filter**  
 HD15380, HD15381



### 1. Choosing the best site

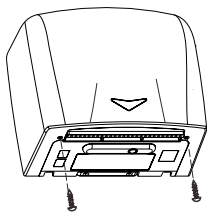
#### General

Install hand dryers adjacent to wash basins, out of the way of storage cabinets or other objects to optimise access and movement around the dryer. In congested areas, position dryers to ensure good traffic flow between washbasins and dryers. If more than one is used, dryers should be placed at least 600 mm apart.

#### Electrical

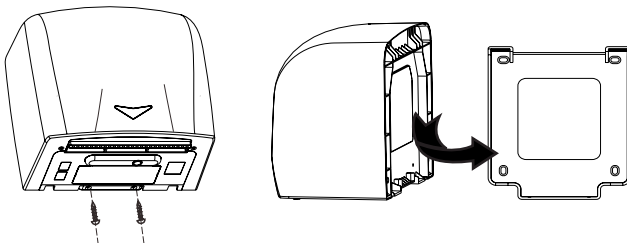
When dryers are provided with a supply cord/plug assembly, use a power point if located in a suitable position, otherwise fixed wiring is recommended for all installations. All wiring related switches and circuit protection must be installed in accordance with local electrical wiring regulations and codes.

### 2. Remove cover housing

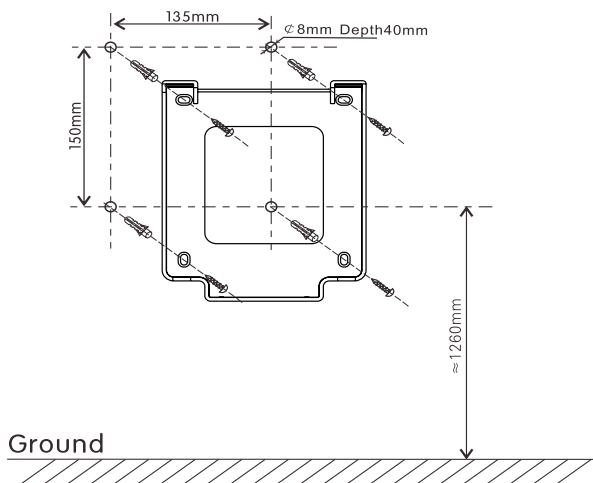


#### 1. Remove cover screws.

Note: Take care to disconnect wire from the base unit



#### 2. Remove the base screws and separate the base from the dryer body. Prepare to position and fix base to wall and position fixed wiring.



### 3. Mounting Template - Spacing & height

Mount two or more dryers 600 mm apart, centre to centre. Position the mounting base on the wall at the desired height and mark the mounting positions.

Recommended Mounting Height (Floor to bottom of dryer)

Men.....	1150 mm
Women.....	1100 mm
Children, ages 3-7.....	800 mm
Children, ages 8-10.....	900 mm
Children, ages 11-13.....	1000 mm
Children, ages 14-17.....	1100 mm
Disabled mounting height.....	1000 mm

### 4. Fixing the dryer to the wall

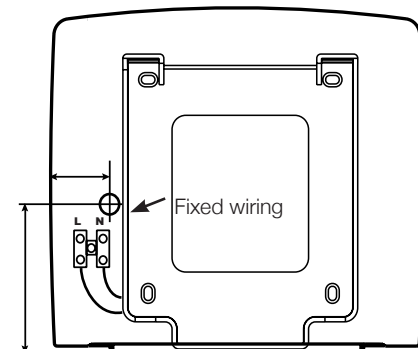
Attach the dryer to the wall using the appropriate fastener. The wall should be reasonably flat. If not use washer(s) to fill gaps.

Wall types:

- Brick/Concrete – Use 6 mm x 40 mm (supplied) with expanding plugs etc (plugs are not supplied).
- Stud/Drywall – Use 6mm x 40 mm screws supplied for attachment to studs (recommended). Use 6 mm toggle bolts (not supplied) for dry-wall plaster wall.

### Mounting over washbasins and flat surfaces

Leave an operating space of at least 300 mm where possible.



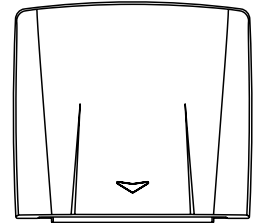
**ARDRICH HAND DRYERS**

# A292 INSTALLATION INSTRUCTIONS

smartDri

## Model

**A292 Wide Jet Hand Dryer**  
**Single Wide Blade Hand Dryer with Filter**  
**HD15380, HD15381**



### 5. Wiring

All wiring, related switches and circuit protection must be installed in accordance with local electrical Wiring regulations and codes. Fixed wiring installation should be carried out by a qualified person. Power requirements 220 -240 Volt AC 50 Hz 1250 watt's. Connect external supply wires to the terminals marked L and N.

### 6. Refit the cover

When the wiring connection is completed, move the cover into position, latching the top first then swing the cover into place. Replace the two cover fixing screws and the two base screws. The dryer is now ready for use.

### 7. Operation and preferences

Turn power switch on.

#### Regular Operation

The dryer blower will run while hands are placed under the dryer and will stop when hands are removed.

#### Set Preferences

Heat Switch - Hot or Cool

Air Flow Switch - Regular Strong Air Flow Or Softer

### Specifications

Class	II Double insulated
Rated Voltage	220-240V AC 50/60Hz
Rated Power	1250 watts
Temperature Output	0 - 40° C
Size	284 x 245 x 17 mm
Waterproof Grade	IPX 1
Sensing Distance	120 0 130 mm
Drying Time	7 -12 seconds

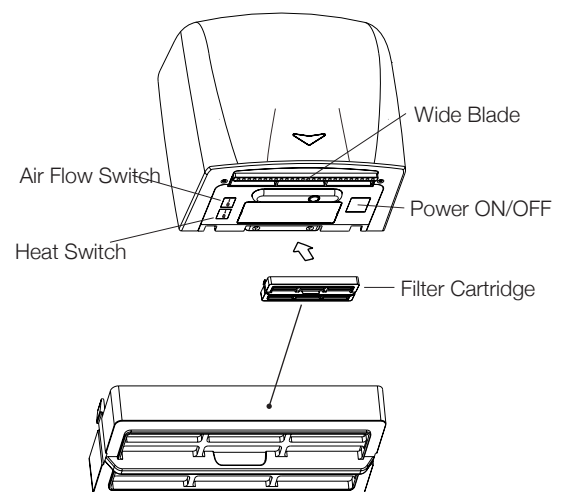
### 8. Maintenance

Clean exterior with a light liquid detergent mixed with water and a soft cloth or paper towel

#### Filter Cartridge Maintenance

Check filter routinely. If the air flow speed diminishes the filter probably needs to be cleaned.

Pull the filter out by the center tab. Use a brush or vacuum clear. Do not use water.



**ARDRICH HAND DRYERS**

www.ardrich.com.au • Freecall Australia 1 800 049 785 • Freecall New Zealand 0 800 802 861 • Email info@ardrich.co.nz

IG A292 290120